

EROWTEC

PRODUCT DATASHEET



THREADLINK

CONTENT

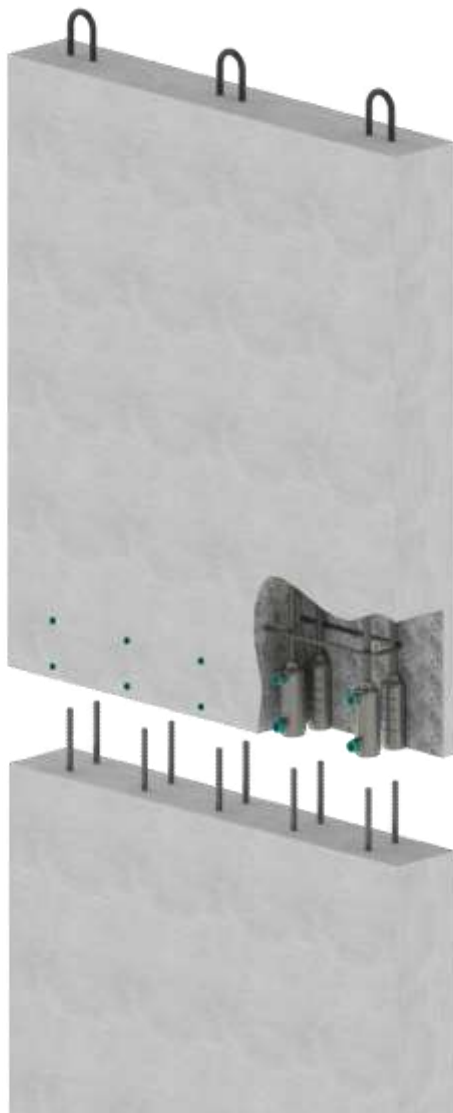
<u>Product description</u>	<u>3</u>
<u>Groutec sleeves</u>	<u>4</u>
<u>Groutec L</u>	<u>4</u>
<u>Groutec S</u>	<u>6</u>
<u>Groutec F</u>	<u>8</u>
<u>Transition splices</u>	<u>9</u>
<u>Groutec L – larger bar in cavity</u>	<u>9</u>
<u>Groutec L – larger bar threaded</u>	<u>10</u>
<u>Groutec S – larger bar in cavity</u>	<u>11</u>
<u>Groutec S – larger bar threaded</u>	<u>12</u>
<u>Groutec F</u>	<u>13</u>
<u>Components necessary for the use of Groutec sleeves</u>	<u>14</u>
<u>Grout recommendation</u>	<u>18</u>
<u>Identification & Traceability</u>	<u>19</u>
<u>Installation</u>	<u>21</u>
<u>Product Approvals</u>	<u>21</u>
<u>Quality Assurance</u>	<u>21</u>
<u>Sustainability</u>	<u>21</u>
<u>Disclaimer</u>	<u>21</u>

Product description

Groutec is a mechanical splicing system designed for the connection of precast concrete elements. Groutec splicing systems comply with Eurocode 2, ISO 15835, ACI 318 type 2, IS16172 and AASHTO code requirements*. Groutec sleeves are designed to achieve an ultimate tensile strength equivalent to the actual strength of the rebar. The designed strength guarantees performance higher than 125% of the specified yield strength of the bar for Groutec S & L with metric reinforcing bars up to grade 550 and ASTM A615/A706 grade 80 bars and for Groutec F sleeves for metric reinforcement bar up to grade 600 and ASTM A615/A706 bars up to grade 80. For the use with higher grade bars please contact your Dextra representative for consultation.

Splicing is usually done in two steps: the Groutec sleeve is first fixed onto the reinforcement prepared at the precast factory, installed flush with the formwork, after which the element is concreted.

The connection is then completed at the construction site, where the precast element is positioned next to the adjacent element so that its protruding bars enter the cavities inside the Groutec sleeves. The cavities are then filled with grout, either by gravity or by means of a grouting pump.



Typical wall connection



Groutec sleeves have been designed to work with grouts commonly available on the marketplace. Grouts must be cementitious non-shrink types, with a minimum compressive strength of 65 MPa.

Three alternative models are available.

Groutec L, a half-grouted sleeve with one threaded end, has a wide body allowing for more tolerance for the connection of two precast elements.

Groutec S, a half-grouted sleeve with one threaded end, has a slim body and may be used in compact applications such as slim panels or narrow columns.

Groutec F, a full grouted sleeve without any threaded end, used for the connection of precast elements.

Groutec has been tested with grouts from major manufacturers which have a worldwide distribution network. Note that cement-based products are commonly locally produced from regional raw materials, and their properties can vary based on both origin and climate conditions.

For first-time users, we strongly recommend that prior tests be carried out to confirm the suitability of the selected grout.

Email us at info@threadlink.com.au for any assistance.

CAD & BIM

CAD & BIM tools to support design engineers in the drawing and modeling of structures are available in the download section of www.dextragroup.com

For designer tools support contact us at: cadbim@dextragroup.com



*To confirm compliance with some applicable standards, Groutec L and F rebar exceeding 36mm in diameter, and Groutec S rebar exceeding 32mm in diameter using specified grout.

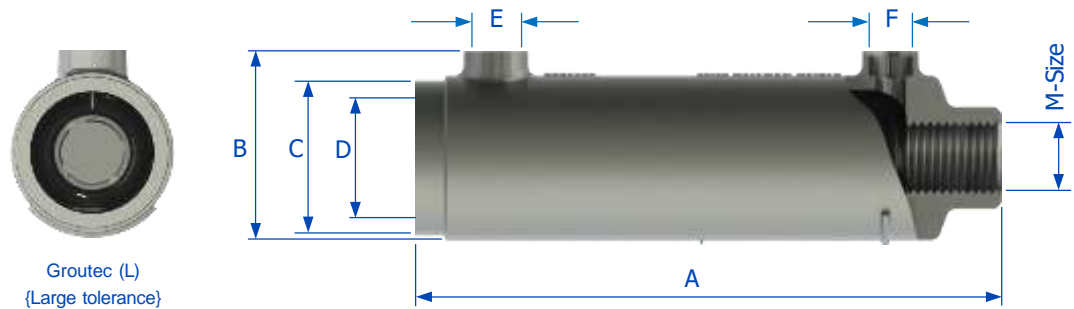
Groutec sleeves

Groutec is available in three versions:

- Groutec L, which allows for larger misalignment tolerances thanks to a wide cavity.
- Groutec S, which accommodates slim panels and narrow columns thanks to a more compact design.
- Groutec F, which allows for the connection without the need of thread end.

For all models and all rebar diameters, the inlet & outlet holes are designed to fit with PE pipes (PE80/PN12.5) as per ISO 4427-2 and EN12201-2:2003 standards.

Groutec L Standard sleeve



Groutec (L)
{Large tolerance}

Fortec thread

Model	Bar Size		Product Code	M-Size	A	B	C	D	E	F	Packing QTY				
	Metric	US			mm.	mm.	mm.	mm.	mm.	mm.					
L12-16	12	#4	FPPC1214201	M14x2.0	182	73	61	44	25	20	200				
	14	-	FPPC1216201	M16x2.0											
	16	#5	FPPC1620251	M20x2.5											
L20-22	18	-	FPPC2022251	M22x2.5	195	77	65	48			25	20	150		
	20	#6	FPPC2024301	M24x3.0											
	22	#7	FPPC2027301	M27x3.0											
L25	25	#8	FPPC2530351	M30x3.5	220	80	68	50			25	20	200		
L28-32	28,30	#9	FPPC2833351	M33x3.5	290	93	81	62					25	20	100
	32*1	#10	FPPC3236301	M36x3.0											
	32	-	FPPC3236401	M36x4.0											
L40	34*2	#11	FPPC4039401	M39x4.0	340	107	95	72	25	20			50		
	36*1	-	FPPC3642351	M42x3.5											
	36,38	#12	FPPC3642451	M42x4.5											
	40*1	-	FPPC4046351	M45x3.5											
	40	-	FPPC4045451	M45x4.5											

Table 1: Dimension of Groutec L sleeve with Fortec thread.

Note *1: Thread types highlighted in blue are valid for Indian market only.

*2: Thread type highlighted in green is applicable for Philippine rebar dia.36mm.

Groutec L with Round nut

The use of locknuts may be recommended in projects where requirements set for permanent elongation or slip resistance are crucial depending on the rebar grade and composition as well as grout selection. Locknuts are available for separate purchase alongside the Groutec sleeves, as outlined in the table below for your selection.

Locknut for Groutec L with Fortec thread

Locknut for Groutec (L) with Bartec / Fortec threaded							
Rebar size	Model	Related Groutec model	Lock nut product code	M-size	Approximate external dimensions (mm)		Packing QTY
					OD	T	
12	LN14	L12-16	FPBL1214002	M14x2.0	20	10	5,000
14	LN16		FPBL1416002	M16x2.0	24	10	2,500
16	LN20		FPBL1620002	M20x2.5	28	10	2,000
18	LN22	L20-22	FPBL1822002	M22x2.5	30	10	4,000
20	LN24		FPBL2024002	M24x3.0	32	10	4,000
22	LN27		FPBL2527002	M27x3.0	36	13.5	2,000
25	LN30	L25	FPBL2530002	M30x3.5	40	12	1,000
28,30	LN33	L28-32	FPBL2833002	M33x3.5	45	16.5	1,000
32*1	LN36		FPBL1036002	M36x3.0	50	15	1,000
32	LN39		FPBL3236002	M36x4.0	50	15	1,000
34*2	LN39	L40	FPBL1139002	M39x4.0	55	16.5	500
36*1	LN42		FPRL3642001	M42x3.5	58	21	500
36, 38	LN42		FPBL3642002	M42x4.5	58	21	500
40*1	LN45		FPBL1445002	M45x3.5	62	18	400
40	LN45		FPBL4045002	M45x4.5	62	18	400

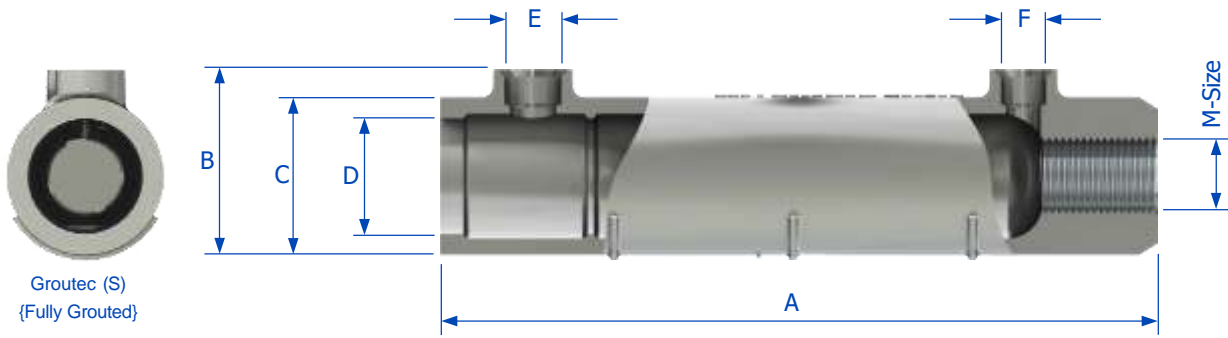
Table 3: Dimension of locknut for Groutec L with Fortec thread.

Note *1: Thread types highlighted in blue are valid for Indian market only.

*2: Thread type highlighted in green is applicable for Philippine rebar dia.36mm.

Groutec S

Standard sleeve



Fortec thread

Model	Bar Size		Product Code	M-Size	A mm.	B mm.	C mm.	D mm.	E mm.	F mm.	Packing QTY
	Metric	US									
S12	12	#4	FPPC1214207	M14x2.0	155	52	39	25	25	20	200
	14	-	FPPC1216207	M16x2.0							
S16	16	#5	FPPC1620257	M20x2.5	184	57	44	30	25	20	200
S20	18	-	FPPC2022257	M22x2.5	204	61	48	34	25	20	250
	20	#6	FPPC2024307	M24x3.0							
S25	22	#7	FPPC2527307	M27x3.0	240	67	55	40	25	20	200
	25	#8	FPPC2530357	M30x3.5							
S28	28, 30	#9	FPPC2833354	M33x3.5	273	74	62	46	25	20	150
S32	32* ¹	#10	FPPC3236307	M36x3.0	310	80	68	50	25	20	150
	32	-	FPPC3236407	M36x4.0							
S36	34* ²	#11	FPPC3439402	M39x4.0	340	88	76	56	25	20	100
	36* ¹	-	FPPC3642352	M42x3.5							
	36	-	FPPC3642452	M42x4.5							
S40	38	-	FPPC4042457	M42x4.5	377	95	83	60	25	20	100
	40* ¹	-	FPPC4045357	M45x3.5							
	40	-	FPPC4045457	M45x4.5							

Table 5: Dimension of Groutec S with Fortec thread

Note *1: Thread types highlighted in blue are valid for Indian market only.

*2: Thread type highlighted in green is applicable for Philippine rebar dia.36mm.

Groutec S with locknut

The use of locknuts may be recommended in projects where requirements set for permanent elongation or slip resistance are crucial depending on the rebar grade and composition as well as grout selection. Locknuts are available for separate purchase alongside the Groutec sleeves, as outlined in the table below for your selection.

Locknut for Groutec S with Fortec thread

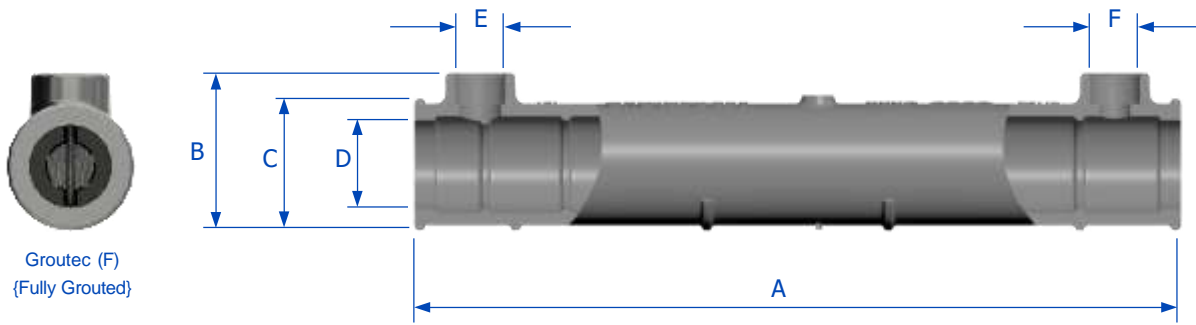
Locknut for Groutec (S) with Bartec / Fortec threaded							
Rebar size	Model	Related Groutec model	Lock nut product code	M-size	Approximate external dimensions (mm)		Packing QTY
					OD	T	
12	LNМ14	S12	FPBL1214002	M14x2.0	20	10	5,000
14	LNМ16		FPBL1416002	M16x2.0	24	10	2,500
16	LNМ20	S16	FPBL1620002	M20x2.5	28	10	2,000
18	LNМ22	S20	FPBL1822002	M22x2.5	30	10	4,000
20	LNМ24		FPBL2024002	M24x3.0	32	10	4,000
22	LNМ27	S25	FPBL2527002	M27x3.0	36	13.5	2,000
25	LNМ30		FPBL2530002	M30x3.5	40	12	1,000
28,30	LNМ33	S28	FPBL2833002	M33x3.5	45	16.5	1,000
32* ¹	LNМ36	S32	FPBL1036002	M36x3.0	50	15	1,000
32	LNМ36		FPBL3236002	M36x4.0	50	15	1,000
34* ²	LNМ39	S36	FPBL1139002	M39x4.0	55	16.5	500
36* ¹	LNМ42		FPRL3642001	M42x3.5	58	21	500
36	LNМ42		FPBL3642002	M42x4.5	58	21	500
38	LNМ42	S40	FPBL3642002	M42x4.5	58	21	500
40* ¹	LNМ45		FPBL1445002	M45x3.5	62	18	400
40	LNМ45		FPBL4045002	M45x4.5	62	18	400

Table 7: Dimension of locknut for Groutec S with Fortec thread.

Note *1: Thread types highlighted in blue are valid for Indian market only.

*2: Thread type highlighted in green is applicable for Philippine rebar dia.36mm.

Groutec F



Groutec (F)
(Fully Grouted)

Model	Rebar size		Product code	A	B	C	D	E	F	Packing Qty		
	Metric	US		mm	mm	mm	mm	mm	mm			
F16	12	#4	FPPC1600004	310	64	51	32	25	25	200		
	16	#5										
F20	18	-	FPPC2000004	330	68	55	36			25	25	200
	19	-										
	20	#6										
F22	22	#7	FPPC2200004	380	73	60	41			25	25	150
F25	24	-	FPPC2500004	380	78	65	44					150
	25	#8										
	26	-										
F28	28	#9	FPPC2800004	460	83	70	48					100
	29	-										
F32	32	#10	FPPC3200004	500	88	75	51	25	25			50
F36	34	-	FPPC3600004	580	98	81	55					50
	36	#11										
F40	40	#12	FPPC4000004	600	103	90	62					50
	43	#14										

Table 9: Dimension of Groutec F.

Transition splices

Groutec L – larger bar in cavity

Small diameter rebar threaded connection and large diameter rebar grouted connection / injection grouting.



Fortec thread

Model	Bar Size				Product Code	M-Size	Packing QTY
	Max. larger bar size (Grouted)		Smaller bar size (Threaded)				
	Metric	US	Metric	US			
L12-16	≤ 20	≤ #6	12	#4	FPPC1214201	M14x2.0	200
			14	-	FPPC1216201	M16x2.0	
			16	#5	FPPC1620251	M20x2.5	
L20-22	≤ 25	≤ #8	16	#5	FPPC2020251	M20x2.5	150
			18	-	FPPC2022251	M22x2.5	
			20	#6	FPPC2024301	M24x3.0	
			22	#7	FPPC2027301	M27x3.0	
L25	≤ 32	≤ #10	16	#5	FPPC2520251	M20x2.5	200
			20	#6	FPPC2524301	M24x3.0	
			25	#8	FPPC2530351	M30x3.5	
L28-32	≤ 40	≤ #12	20	#6	FPPC3224301	M24x3.0	100
			25	#8	FPPC3230351	M30x3.5	
			28, 30	#9	FPPC2833351	M33x3.5	
			32*1	#10	FPPC3236301	M36x3.0	
			32	-	FPPC3236401	M36x4.0	
L40	≤ 40	≤ #12	32*1	#10	FPPC4036302	M36x3.0	50
			32	-	FPPC4036401	M36x4.0	
			34*2	#11	FPPC4039401	M39x4.0	
			36*1	-	FPPC3642351	M42x3.5	
			36, 38	-	FPPC3642451	M42x4.5	

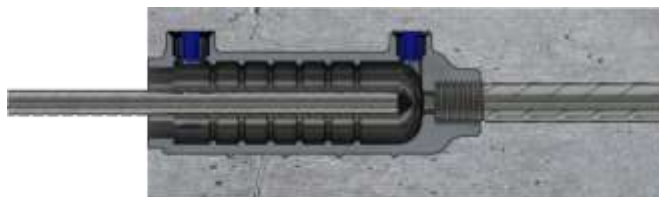
Table 10: Dimension of Groutec L transition with Fortec thread.

Note *1: Thread types highlighted in blue are valid for Indian market only.

*2: Thread type highlighted in green is applicable for Philippine rebar dia.36mm.

Groutec L – larger bar threaded

Large diameter rebar threaded connection and small diameter rebar grouted connection / Gravity grouting.



Fortec thread

Model	Bar Size				Product Code	M-Size	Packing QTY
	Larger bar size (Threaded)		Smaller bar size (Grouted)				
	Metric	US	Metric	US			
L12-16	12	#4	≤ 10	≤ #3	FPPC1214201	M14x2.0	200
	14	-	≤ 12	-	FPPC1216201	M16x2.0	
	16	#5	≤ 14	≤ #4	FPPC1620251	M20x2.5	
L20-22	16	#5	≤ 14	≤ #4	FPPC2020251	M20x2.5	250
	18	-	≤ 16	-	FPPC2022251	M22x2.5	
	20	#6	≤ 18	≤ #5	FPPC2024301	M24x3.0	
	22	#7	≤ 20	≤ #6	FPPC2027301	M27x3.0	
L25	16	#5	≤ 14	≤ #4	FPPC2520251	M20x2.5	200
	20	#6	≤ 18	≤ #5	FPPC2524301	M24x3.0	
	25	#8	≤ 22	≤ #7	FPPC2530351	M30x3.5	
L28-32	20	#6	≤ 18	≤ #5	FPPC3224301	M24x3.0	100
	25	#8	≤ 22	≤ #7	FPPC3230351	M30x3.5	
	28, 30	#9	≤ 25	≤ #8	FPPC2833351	M33x3.5	
	32*1	#10	≤ 30	≤ #9	FPPC3236301	M36x3.0	
	32	-	≤ 30	-	FPPC3236401	M36x4.0	
L40	32*1	#10	≤ 30	≤ #9	FPPC4036302	M36x3.0	50
	32	-	≤ 30	-	FPPC4036401	M36x4.0	
	34*2	#11	≤ 32	≤ #10	FPPC4039401	M39x4.0	
	36*1	-	≤ 34	-	FPPC3642351	M42x3.5	
	36, 38	#12	≤ 34	≤ #11	FPPC3642451	M42x4.5	
	40*1	-	≤ 38	-	FPPC4045351	M45x3.5	
	40	-	≤ 38	-	FPPC4045451	M45x4.5	

Table 12: Dimension of Groutec L transition with Fortec thread.

Note *1: Thread types highlighted in blue are valid for Indian market only.

*2: Thread type highlighted in green is applicable for Philippine rebar dia.36mm.

Groutec S – larger bar in cavity

Small diameter rebar threaded connection and large diameter rebar grouted connection / injection grouting. Particular attention needs to be taken on markets with oversized longitudinal and transversal ribs to ensure the larger bar can fit into the cavity.



Fortec thread

Model	Bar Size				Product Code	M-Size	Packing QTY
	Max. larger bar size (Grouted)		Smaller bar size (Threaded)				
	Metric	US	Metric	US			
S12	≤ 14	-	12	-	FPPC1214207	M14x2.0	200
S16	≤ 20	≤ #6	12	#4	FPPC1614207	M14x2.0	200
			16	#5	FPPC2020257	M20x2.5	
S20	≤ 25	≤ #8	16	#5	FPPC2020257	M20x2.5	250
			18	-	FPPC2022257	M22x2.5	
			20	#6	FPPC2024307	M24x3.0	
S25	≤ 30	≤ #9	20	#6	FPPC2524307	M24x3.0	200
			22	#7	FPPC2527307	M27x3.0	
			25	#8	FPPC2530357	M30x3.5	
S28	≤ 32	≤ #10	28,30	#9	FPPC2833354	M33x3.5	150
S32	≤ 38	≤ #10	25	#8	FPPC3230357	M30x3.5	150
			28,30	#9	FPPC3233357	M33x3.5	
			32*1	-	FPPC3236307	M36x3.0	
			32	-	FPPC3236407	M36x4.0	
S36	≤ 40	≤ #12	32*1	#10	FPPC3636302	M36x3.0	100
			32	-	FPPC3636402	M36x4.0	
			34*2	#11	FPPC3439402	M39x4.0	
			36*1	-	FPPC3642352	M42x3.5	
			36	-	FPPC3642452	M42x4.5	
S40	40	≤ #12	32*1	#10	FPPC4036307	M36x3.0	100
			32	-	FPPC4036407	M36x4.0	
			34	#11	FPPC4039407	M39x4.0	
			36,38	-	FPPC4042457	M42x4.5	

Table 14: Dimension of Groutec S transition with Fortec thread.

Note *1: Thread types highlighted in blue are valid for Indian market only.

*2: Thread type highlighted in green is applicable for Philippine rebar dia.36mm.

Groutec S – larger bar threaded

Large diameter rebar threaded connection and small diameter rebar grouted connection / Gravity grouting.



Fortec thread

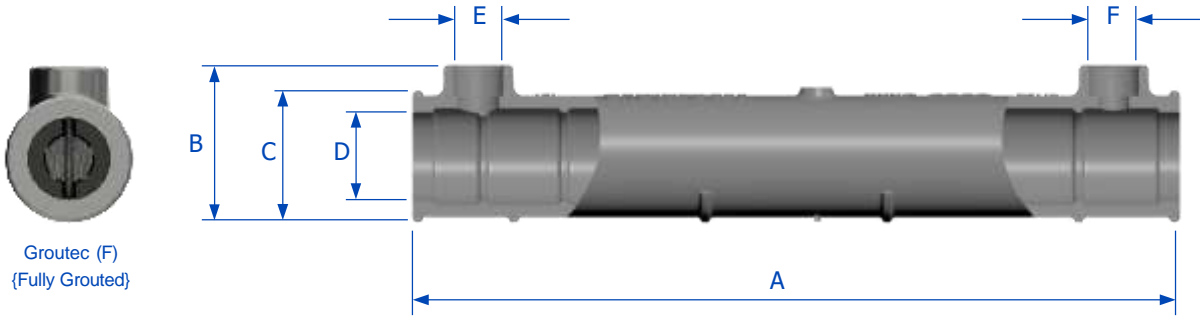
Model	Bar Size				Product Code	M-Size	Packing QTY
	Larger bar size (Threaded)		Smaller bar size (Grouted)				
	Metric	US	Metric	US			
S12	12	#4	≤ 10	≤ #3	FPPC1214207	M14x2.0	200
	14	-	≤ 12	≤ #4	FPPC1216207	M16x2.0	200
S16	16	#5	≤ 12	≤ #4	FPPC1620257	M20x2.5	200
S20	16	#5	≤ 14	≤ #4	FPPC2020257	M20x2.5	250
	18	-	≤ 16	-	FPPC2022257	M22x2.5	
	20	#6	≤ 18	≤ #5	FPPC2024307	M24x3.0	
S25	20	#6	≤ 18	≤ #5	FPPC2524307	M24x3.0	200
	22	#7	≤ 20	≤ #6	FPPC2527307	M27x3.0	
	25	#8	≤ 22	≤ #7	FPPC2530357	M30x3.5	
S28	28, 30	#9	≤ 25	≤ #8	FPPC2833354	M33x3.5	150
S32	25	#8	≤ 22	≤ #7	FPPC3230357	M30x3.5	150
	28, 30	#9	≤ 25	≤ #8	FPPC3233357	M33x3.5	
	32*1	#10	≤ 30	≤ #9	FPPC3236307	M36x3.0	
	32	-	≤ 30	-	FPPC3236407	M36x4.0	
S36	32*1	#10	≤ 30	≤ #9	FPPC3636302	M36x3.0	100
	32	-	≤ 30	-	FPPC3636402	M36x4.0	
	34*2	-	≤ 32	-	FPPC3439402	M39x4.0	
	36*1	-	≤ 34	-	FPPC3642352	M42x3.5	
	36	-	≤ 34	-	FPPC3642452	M42x4.5	
S40	34	#11	≤ 32	≤ #10	FPPC4039407	M39x4.0	100
	36*1	-	≤ 34	-	FPPC4042457	M42x3.5	
	36, 38	#12	≤ 34	≤ #11	FPPC4042457	M42x4.5	
	40*1	-	≤ 38	-	FPPC4045357	M45x3.5	
	40	-	≤ 38	-	FPPC4045457	M45x4.5	

Table 16: Dimension of Groutec S transition with Fortec thread.

Note *1: Thread types highlighted in blue are valid for Indian market only.

*2: Thread type highlighted in green is applicable for Philippine rebar dia.36mm.

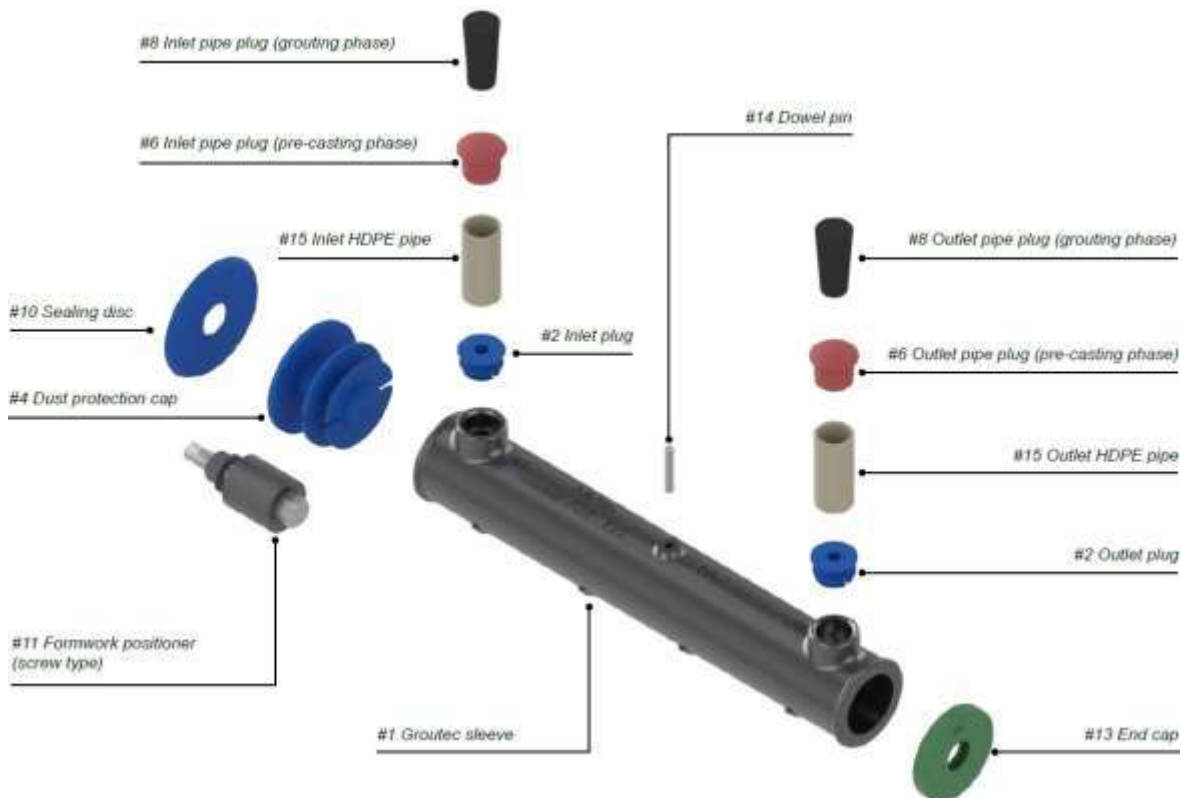
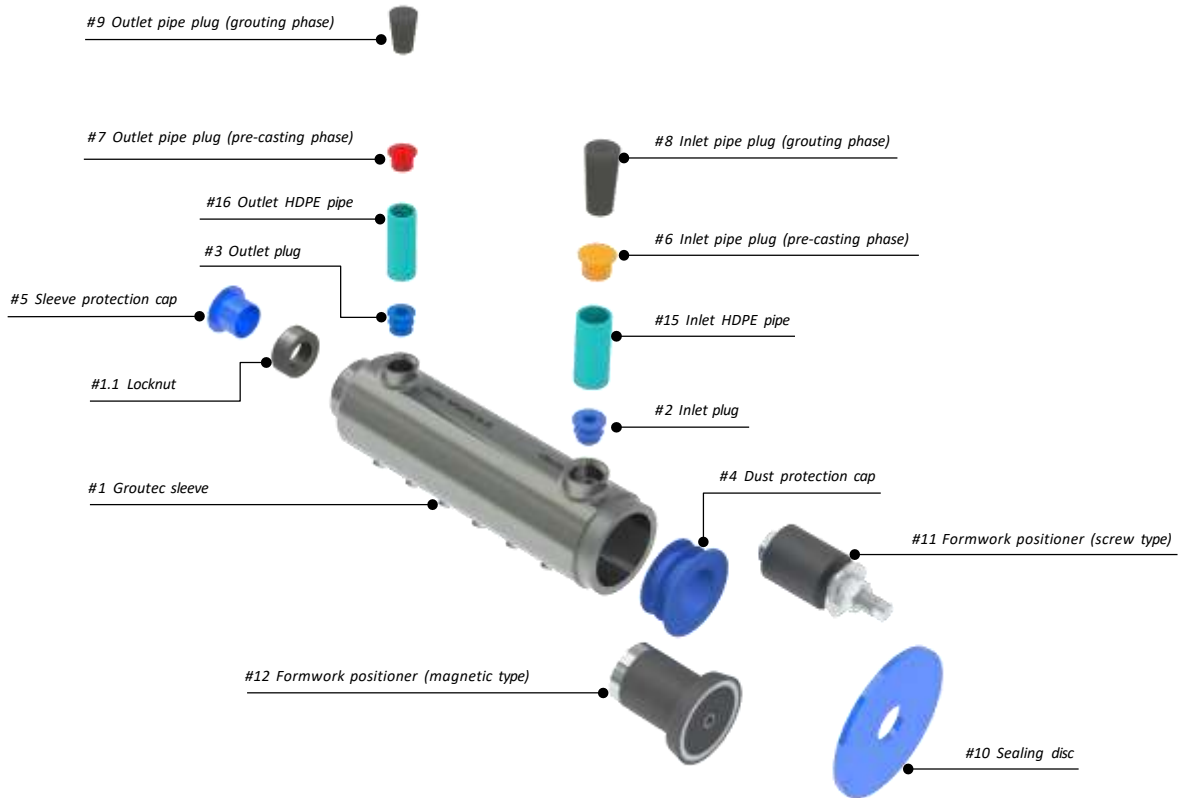
Groutec F



Groutec (F)
{Fully Grouted}

Model	Rebar Size				Product code
	#1 Construction (Max. large bar size)		#2 Precast Factory (Small bar size)		
	Metric	US	Metric	US	
F16	≤ 16	≤ #5	≤ 16	≤ #5	FPPC1600004
F20	≤ 20	≤ #6	≤ 20	≤ #6	FPPC2000004
F22	≤ 22	≤ #7	≤ 22	≤ #7	FPPC2200004
F25	≤ 24, 25, 26	≤ #8	≤ 24, 25, 26	≤ #8	FPPC2500004
F28	≤ 28	≤ #9	≤ 28	≤ #9	FPPC2800004
F32	≤ 32	≤ #10	≤ 32	≤ #10	FPPC3200004
F36	≤ 36	≤ #11	≤ 36	≤ #11	FPPC3600004
F40	≤ 40	≤ #14	≤ 40	≤ #14	FPPC4000004

Components necessary for the use of Groutec sleeves



Item No.	Description	Groutec L&S		Groutec F	
		Standard scope of supply	Optional items available upon request	Standard scope of supply	Optional items available upon request
1	Groutec sleeve	X		X	
1.1	Locknut		(X)*		
2	Inlet plug	X	X	X	X
3	Outlet plug	X	X		
4	Dust protection cap	X	X	X	X
5	Sleeve protection cap		X		
6	Inlet pipes plug (pre-casting phase)		X		X
7	Outlet pipes plug (pre-casting phase)		X		
8	Inlet sleeve plastic cap plug (grouting phase)		X		X
9	Outlet sleeve plastic cap plug (grouting phase)		X		
10	Sealing disc		X		X
11	Formwork positioner (screw type)		X		X
12	Formwork positioner (magnetic type)		X		
13	End cap			X	
14	Dowel pin			X	
15	Inlet HDPE pipe		X		X
16	Outlet HDPE pipe		X		

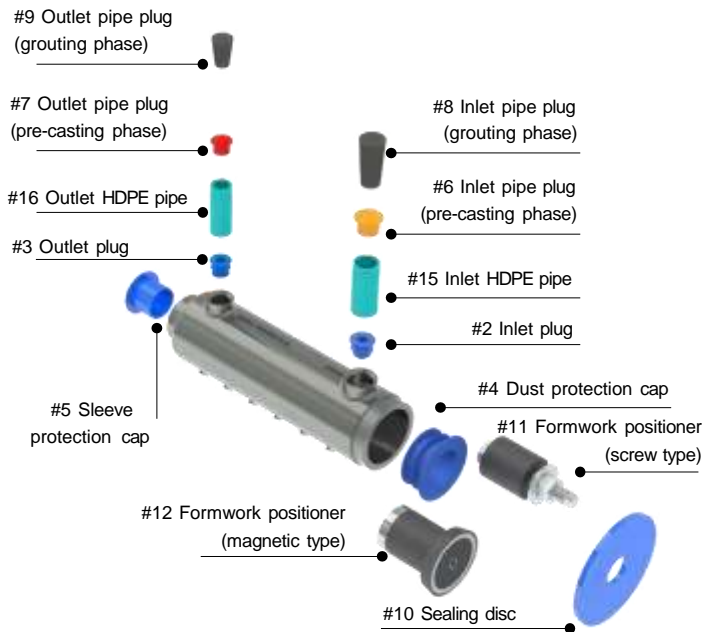
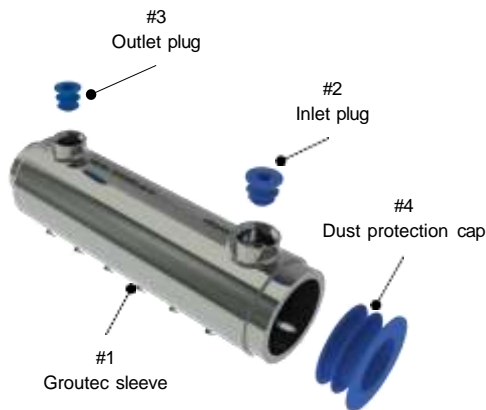
Table 18: Components necessary for the use of Groutec sleeves.

Note: *Locknut may be recommended where strict slip resistance requirements are specified depending on the rebar grade, composition and grout selection.

Items for Groutec L and S

Items delivered with Groutec L and S

Optional items available upon request.



Model	Bar Size		Formwork Positioner		Dust protection Cap (#4)
	Metric	US	Screw type (#11)	Magnetic type (#12)	
L12-16	12	#4	GACC2090046	GACC2090012	GACC0990009
	14	-	GACC2090046	GACC2090012	GACC0990009
	16	#5	GACC2090046	GACC2090012	GACC0990009
L20-22	18	-	GACC2090033	GACC2090013	GACC0990010
	20	#6	GACC2090033	GACC2090013	GACC0990010
	22	#7	GACC2090033	GACC2090013	GACC0990010
L25	24	-	GACC2090033	GACC2090014	GACC0990006
	25	#8	GACC2090033	GACC2090014	GACC0990006
L28-32	26	-	GACC2090033	GACC2090014	GACC0990006
	28, 30	#9	GACC2090034	GACC2090015	GACC0990001
	32	#10	GACC2090034	GACC2090015	GACC0990001
L40	34	#11	GACC2090047	GACC2090016	GACC0990002
	36, 38	#12	GACC2090047	GACC2090016	GACC0990002
	40	-	GACC2090047	GACC2090016	GACC0990002
S12	12	#4	GACC2090027	-	GACC0990018
	14	-	GACC2090027	-	GACC0990018
S16	16	#5	GACC2090028	GACC2090051	GACC0990019
S20	18	-	GACC2090029	GACC2090052	GACC0990020
	20	#6	GACC2090029	GACC2090052	GACC0990020
S25	22	#7	GACC2090030	GACC2090053	GACC0990021
	24	-	GACC2090030	GACC2090053	GACC0990021
	25	#8	GACC2090030	GACC2090053	GACC0990021
S28	26	-	GACC2090030	GACC2090053	GACC0990021
	28, 30	#9	GACC2090033	GACC2090054	GACC0990010
S32	32	#10	GACC2090033	GACC2090054	GACC0990006
S40	34	#11	GACC2090034	-	GACC0990001
	36	-	GAXX2090034	GAACC2090055	GACC0990001
	38	#12	GACC2090034	-	GACC0990001
	40	-	GACC2090034	GACC2090055	GACC0990001

Table 19: Codes of Formwork Positioner & Dust protection caps for Groutec L & S.

Bar Size		Sleeve Protection Cap (#5)		Sealing disc (#10)
Metric	US	Bartec & Fortec threads	Rolltec threads	
12	#4	GMEC0002808	GMEC0010919	GMEC0900143
14	-	GMEC0002816	GMEC0010920	GMEC0900143
-	#5	GMEC0002818	GMEC0002816	GMEC0900147
16	-	GMEC0002818	GMEC0002817	GMEC0900147
18	-	GMEC0002819	GMEC0900071	GMEC0900153
-	#6	GMEC0002820	GMEC0002818	GMEC0900153
20	-	GMEC0002820	GMEC0002819	GMEC0900153
-	#7	GMEC0002821	GMEC0002819	GMEC0900153
22	-	GMEC0002821	GMEC0900072	GMEC0900153
24	-	-	GMEC0010959	GMEC0900145
25	#8	GMEC0002822	GMEC0002821	GMEC0900145
26	-	-	GMEC0900073	GMEC0900145
28,30	#9	GMEC0002823	GMEC0002822	GMEC0900142
32	#10	GMEC0002824	GMEC0002823	GMEC0900154
34	#11	GMEC0002825	GMEC0002824	GMEC0900154
36	-	GMEC0002826	GMEC0009180	GMEC0900154
38	#12	GMEC0002826	GMEC0002825	GMEC0900141
40	-	GMEC0002827	GMEC0002826	GMEC0900141

Table 20: Codes of Sleeve Protection Caps and Sealing disc for Groutec L & S.

Bar size (mm)	Inlet plug (#2)	Outlet plug (#3)
All models	GACC0990011	GACC0990012

Table 21: Codes of Inlet plug & Outlet plug for Groutec L & S.

Bar size (mm)	Inlet pipe plug (grouting phase) (#8)	Outlet pipe plug (grouting phase) (#9)
All models	GACC2090002	GACC2090001

Table 22: Codes of Inlet pipe plug & Outlet pipe plug (grouting phase) for Groutec L & S.

Bar size (mm)	Inlet pipe plug (pre-casting phase) (#6)	Outlet pipe plug (pre-casting phase) (#7)
All models	GMEC0900071	GMEC0002820

Table 23: Codes of Outlet pipe plug & Inlet pipe plug (pre-casting phase) for Groutec L & S.

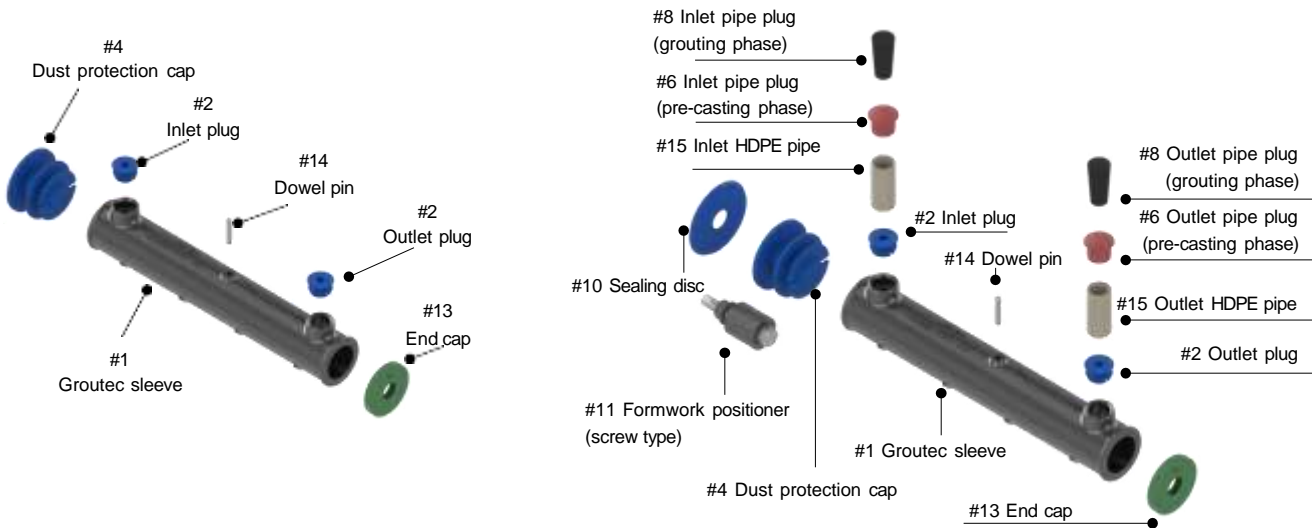
Bar size (mm)	Inlet HDPE pipe (#15)	Outlet HDPE pipe (#16)
All models	GELC0390001	GELC0390002

Table 24: Codes of Outlet HDPE pipe & Inlet HDPE pipe for Groutec L & S.

Items for Groutec F

Items delivered with Groutec F

Optional items available upon request.



Bar Size		Dust protection cap (#4)	Sealing disc (#10)	Formwork positioner screw type (#11)	End cap (#13)	Dowel pin (#14)
Metric	US					
12,16	#4, #5	GACC0990020	GMEC0900147	GACC2090029	GACC0990053	GASA1100062
18,19,20	#6	GACC0990021	GMEC0900153	GACC2090029	GACC0990054	GASA1100063
22	#7	GACC0990021	GMEC0900153	GACC2090030	GACC0990055	GASA1100064
24,25,26	#8	GACC0990010	GMEC0900145	GACC2090030	GACC0990056	GASA1100064
28,29	#9	GACC0990010	GMEC0900142	GACC2090033	GACC0990057	GASA1100065
32	#10	GACC0990006	GMEC0900154	GACC2090033	GACC0990058	GASA1100060
34,36	#11	GACC0990001	GMEC0900154	GACC2090033	GACC0990059	GASA1100061
40,43	#14	GACC0990001	GMEC0900141	GACC2090048	GACC0990060	GASA1100061

Table 25: Codes of dust protection cap, sealing disc, formwork positioner, end cap and dowel pin for Groutec F.

Bar size	Inlet / Outlet plug (#2)	Inlet / Outlet pipe plug (pre-casting phase) (#6)	Inlet / Outlet pipe plug (grouting phase) (#8)	Inlet / Outlet HDPE pipe (#15)
All models	GACC0990011	GMEC0900071	GACC2090002	GELC0390001

Table 26: Codes of inlet/outlet plug, inlet/outlet pipe plug, inlet/outlet sleeve plastic cap plug and HDPE inlet/outlet pipe for Groutec F.

Grout recommendation

Dextra Groutec sleeve can be used with standard non-shrink grouts meeting the following minimum specifications:

- Compressive strength: ≥ 65 MPa after 28 days as per ASTM C109 (50 mm cube)
- Flowability: high flowability
- Shrinkage: non-shrinking
- Setting time ≥ 30 min
- Maximum aggregate size ≤ 2 mm

For high grade rebar and particular slip requirement, please contact Dextra for more details.

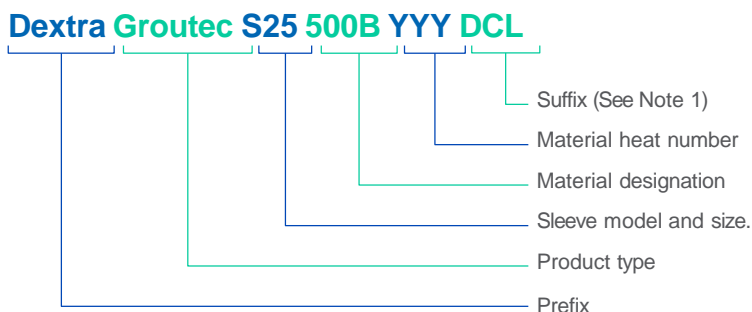
Note: Please contact your local Dextra representative to verify the performance of the selected grout.

Identification & Traceability

Sleeve Identification

Each connection is marked with the following symbols that allows to trace it back to each raw material and production batch data.

Marking on Groutec sleeve circumference:



Type of sleeve	Product model and size designation
Groutec L	Groutec 12-16 or Groutec 25
Groutec S	Groutec S16 or Groutec S25
Groutec F	Groutec F16-#5 or Groutec F25-#8

Note 1: Suffix can be on the other side of the Groutec sleeve.

DCL for Groutec L and S sleeves.
No suffix for other models.

Full traceability of the production batches and raw materials is guaranteed for all load bearing components. The retention period of our quality records is 12 years.

Table 27: Marking on sleeve circumference.

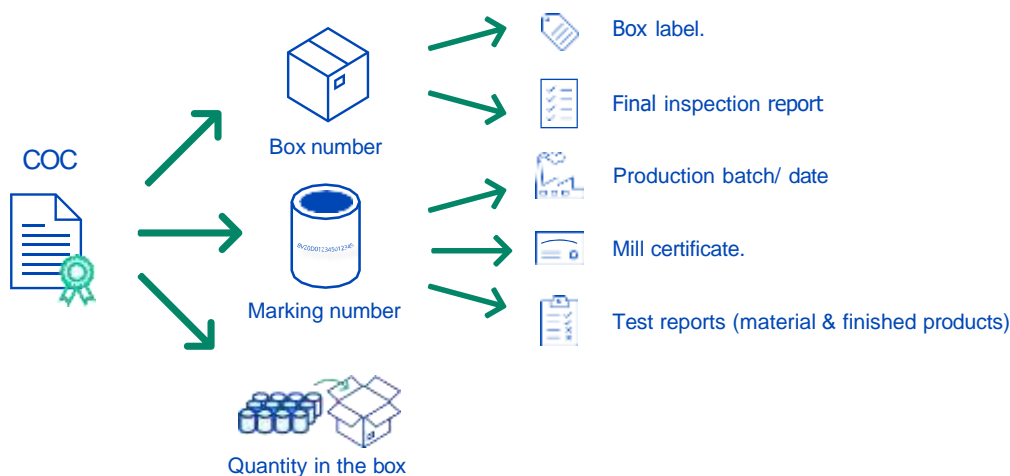
Characters highlighted in blue vary upon sleeve model and size.

Certificate of Compliance

Each box of Groutec sleeves delivered to our customers comes with a type 3.1 certificate of compliance (COC) as per EN 10204 allowing full traceability of the product.

Each COC indicates the following information:

- Product Identification → Product code and product description
- Box number → Traceability of the COC to the corresponding box label and the final inspection report of the sleeve.
- Marking number → Identifying the sleeve model, production batch and material batch for traceability of the production date, material test reports and mill certificates.
- Quantity per box → Showing the quantity per sleeve marking inside the box.



Installation

For half-grouted sleeve connections (Groutec L and S), the connection is achieved by screwing the sleeve onto one bar, and then filling the cavity of the sleeve with suitable grout by injection or gravity filling. For fully grouted sleeve connections (Groutec F), no bar end preparation is required. The connection is achieved by inserting both bar ends into the sleeve, and then filling the cavity by grout injection. Connections on site must be done as per the correct Assembly Instruction, for each type of splice. They are available upon request or at www.dextragroup.com/

Dextra products shall be installed and used only as indicated in Dextra's documentation and training materials. Aforementioned documents are available at www.dextragroup.com and from your Dextra customer service representative. Improper installation, misuse, misapplication, or other failure to completely follow Dextra's instructions and warnings may cause product malfunction, property damage, serious bodily injury, and death. Dextra cannot accept any liability in respect thereof.

Product Approvals







Country	Agency	Certificate N°
	 IAPMO Uniform Evaluation Services (UES)	312
	 ROMANIA	N° 003-01/177-2023
	 Dubai Municipality	N° CL 17020493

Table 28: Product approvals and certifications:

Note: Not all sleeve types and sizes are applicable to the national approvals shown. For details, please refer to the specific national approval document available on <https://www.dextragroup.com>

Quality Assurance

Groutec® sleeves and related accessories are manufactured according to strict technical specifications and under a production process that has been certified in accordance with ISO 9001 quality management system standard.

They are warranted to be free from manufacturing defects and to perform in accordance with the manufacturer's specifications providing that they are installed in accordance with the manufacturer's instruction.


Agency	Certificate N°
 Bureau Veritas	TH015960 IND.20.6089/QM/U

Table 29: Quality Assurance certifications

Sustainability

Dextra acknowledges the significance of offering environmentally sustainable products to the market, our commitment spans from responsibly sourcing of raw materials to the manufacturing process and onward to the delivery to our customers. In alignment with our commitment to sustainability, our environmental management system holds certification in accordance with ISO 14001:2015.


Agency	Certificate N°	Plant (Location)
 Bureau Veritas	TH020984	Dextra Manufacturing (Thailand)

Table 30: Environmental certifications

Disclaimer

Products described in this document are warranted to be free from manufacturing defects and to perform in accordance with the manufacturer's specifications providing that they are installed in accordance with our written instructions.

As a result of our continuous thrive for technological improvement, Dextra reserves its right to modify the contents of this specification sheet at any time without prior notice. In particular, various sources of raw materials may lead to variations in outside diameters. The information provided on this document, and any outside information linked to, is for guidance only.



Dextra



Commercial presence
in more than **55 countries**



HEADQUARTERS THAILAND
Dextra Manufacturing Co., Ltd.
Tel: (66) 2 021 3800
Fax: (66) 2 328 0374
E-mail: thailand@dextragroup.com



EUROPE
Dextra Europe SARL
Tel: (33) 1 45 53 70 82
Fax: (33) 1 47 04 28 97
E-mail: europe@dextragroup.com



NORTH AMERICA
Dextra America Inc.
Tel: (1) 626 254 3407
E-mail: america@dextragroup.com



CHINA
Dextra Building Products
(Guangdong) Co., Ltd.
Tel: (86) 20 2261 9901
Fax: (86) 20 2261 9902
E-mail: china@dextragroup.com



MIDDLE EAST
Dextra Middle-East FZE
Tel: (971) 4886 5620
Fax: (971) 4886 5621
E-mail: middleeast@dextragroup.com



LATIN AMERICA
Dextra Latam
Tel: (507) 6454 8100
E-mail: latam@dextragroup.com



HONG KONG
Dextra Pacific Ltd.
Tel: (852) 2845 7766 / 2511 8236
Fax: (852) 2586 1656 / 2519 0852
E-mail: dplbuilding@dextragroup.com



INDIA
Dextra India Pvt. Ltd.
Tel: (91) 22 2838 6294 / 22 2839 2694
Fax: (91) 22 2839 2674
E-mail: india@dextragroup.com



Threadlink Pty Ltd Australia
Unit1/107 Dunheved Circuit
St Marys NSW 2760
Tel: +61 2 9622 1645
E-mail: info@threadlink.com.au

Dextra Groutec available at

