

Assembly Instruction N° AI-FT 04 E Rev 02 - 21 /03/2018

Step 1

Remove plastic cap from the thread protection. Screw the anchor plate onto the Fortec reinforcing bar.

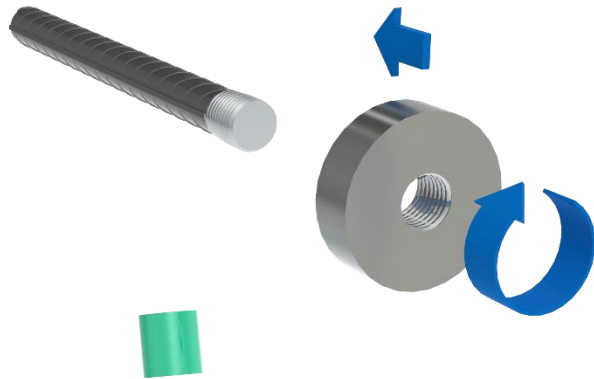


Before screwing the plate on, check that the thread on the bar is not an extended thread meant for a position splice.



After screwing the plate, check that its thread fully engages the thread of the reinforcing bar.

The continuation bars

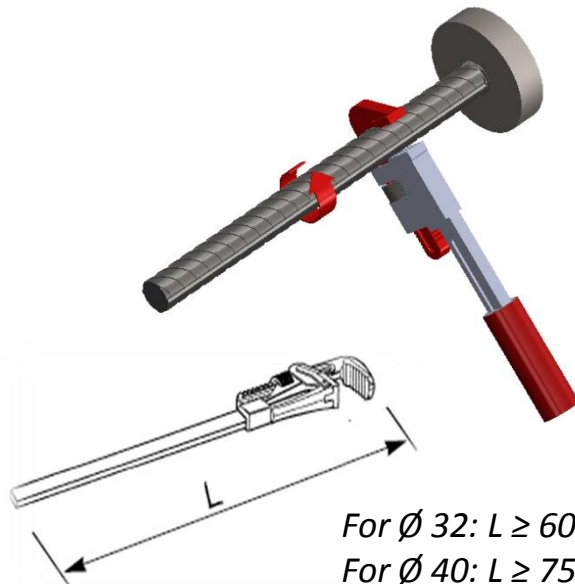


Step 2



Locking the splice ensures that its permanent elongation meets the code requirement.

Lock the splices



For $\varnothing 32$: $L \geq 60$ cm (24")
For $\varnothing 40$: $L \geq 75$ cm (30")
For $\varnothing 50$: $L \geq 100$ cm (40")